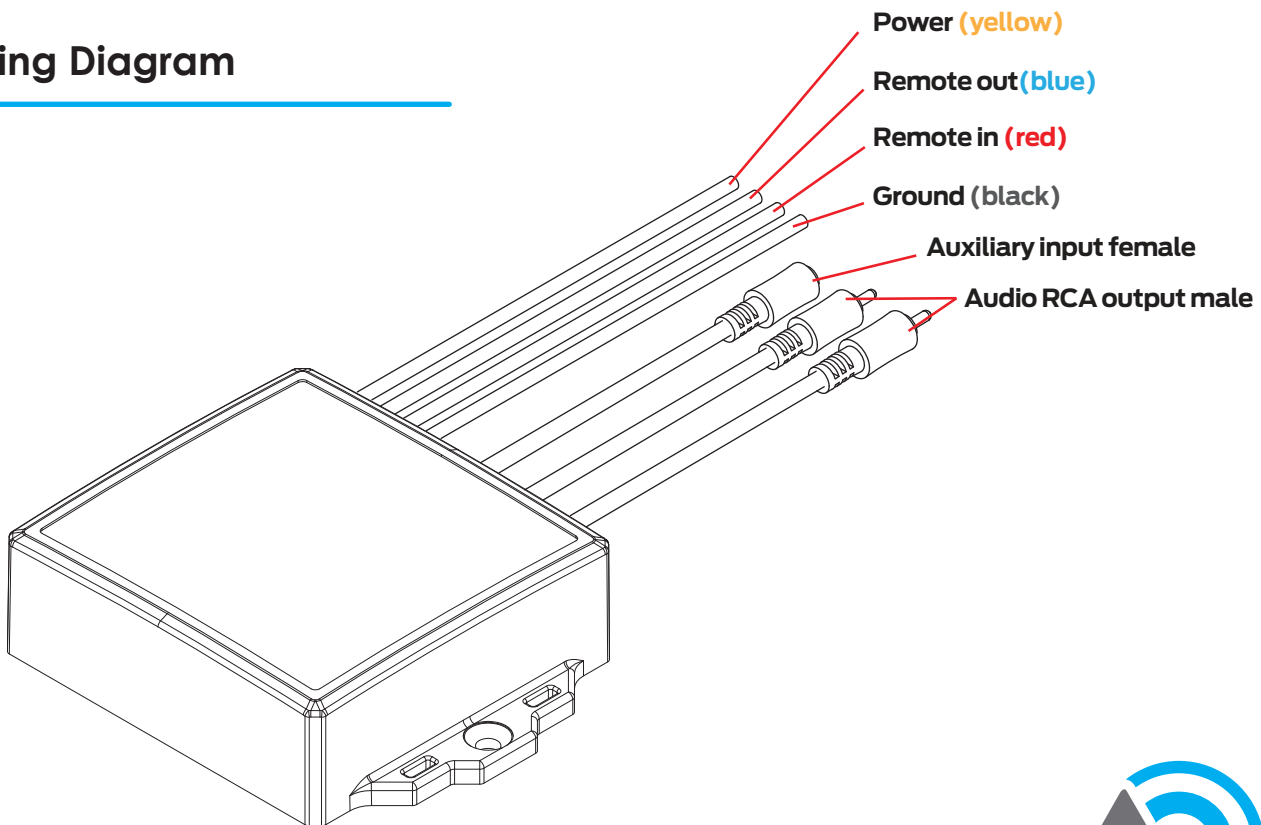


BTR-18 Manual

1. Ensure your streaming device has Bluetooth® enabled and that power is applied to the BTR-18.
(The blue LED on the BTR-18 will blink to indicate it is in pairing mode.)
2. Within your streaming device's Bluetooth® setup menu, select " BTR-18 " from the list of pairable devices.
3. When successfully connected, the Blue LED on the BTR-18 will stop blinking and remain lit. A single beep will be heard through the connected audio system.
4. Connecting the blue wire (remote out) to the amplifier (remote in) to turn the amplifier on/off.
5. The BTR-18 will remember the last device that was connected to it and reconnect with it automatically. When a connected streaming device is out of range for more than one minute, the BTR-18 will automatically disconnect this device and return to pairing mode (LED will blink).
6. The BTR-18 can be installed out of sight, as it has a waterproof wireless remote to be used with.

Wiring Diagram




BTR-18 Manual

1. Double click pairing “” button to pair wireless remote with Bluetooth receiver.

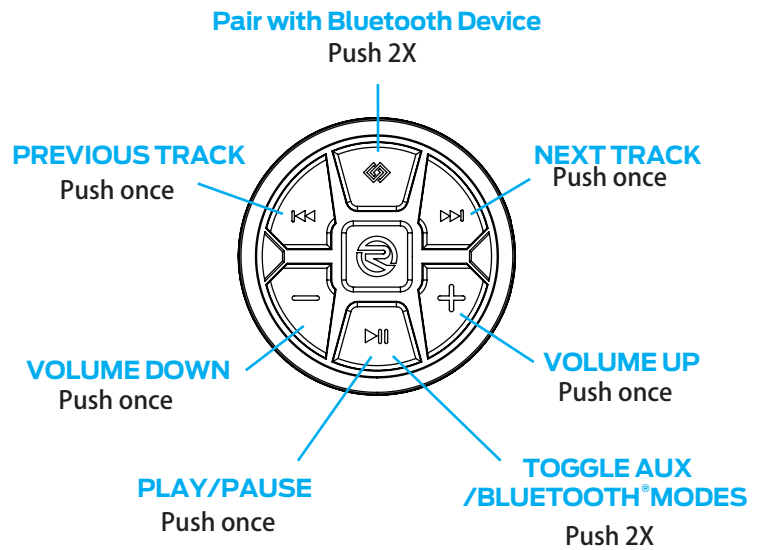
2. Press “+” & “-” for level up & down

3. Press “” & “” for track forward & backward

4. Press “” to play and pause music

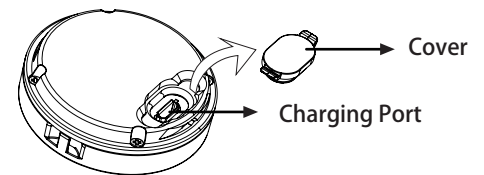
5. Double tap “” to switch between Bluetooth and Aux modes

6. LED low battery indicator (Green), operation indicator (Blue) & charging indicator (Red).



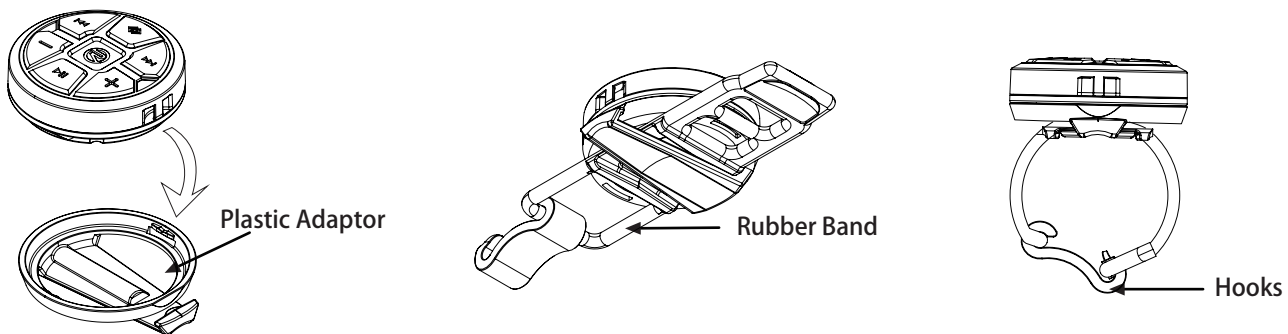
Battery Charging

Open the cover at back of the unit, you will see the micro USB charging port. Plug in any micro USB cable to charge the battery, the red LED stays on. When it is fully charged, the red LED stays off.



Steering Wheel/Bar Mount

Snap the unit into the plastic adaptor. Using the included rubber band for steering wheel & bar mounting, hold the rubber against the steering wheel. Wrap it around, then hook it up.



Sling

Use the included sling to carry this waterproof remote control.

